

Part Change Notice

Date: Oct. 02, 2014

PCN. No: 1414008

Products:

STD-302N-R 434 MHz, STD-302N-R 429 MHz

Description of change

- Obsolete components are changed.
- Modulation circuit consisting of LPF using transistors, R, C and crystal is changed to 5th order LPF using op-amp and VTCXO.
- There is no change in the product specification.

In order to identify the module with above changes, the product name will be changed.

Product name: STD-302N-R → STD-302S

* Comparison figures and block diagrams are attached.

Reason of change:

- STD-302N-R contains several obsolete components whose production discontinuation has been announced by part suppliers. In order to continue stable product supply, these components are changed to the latest components. Modulation circuit is also changed to improve the circuit performance.

Cost Impact:

NIL

Change schedule:

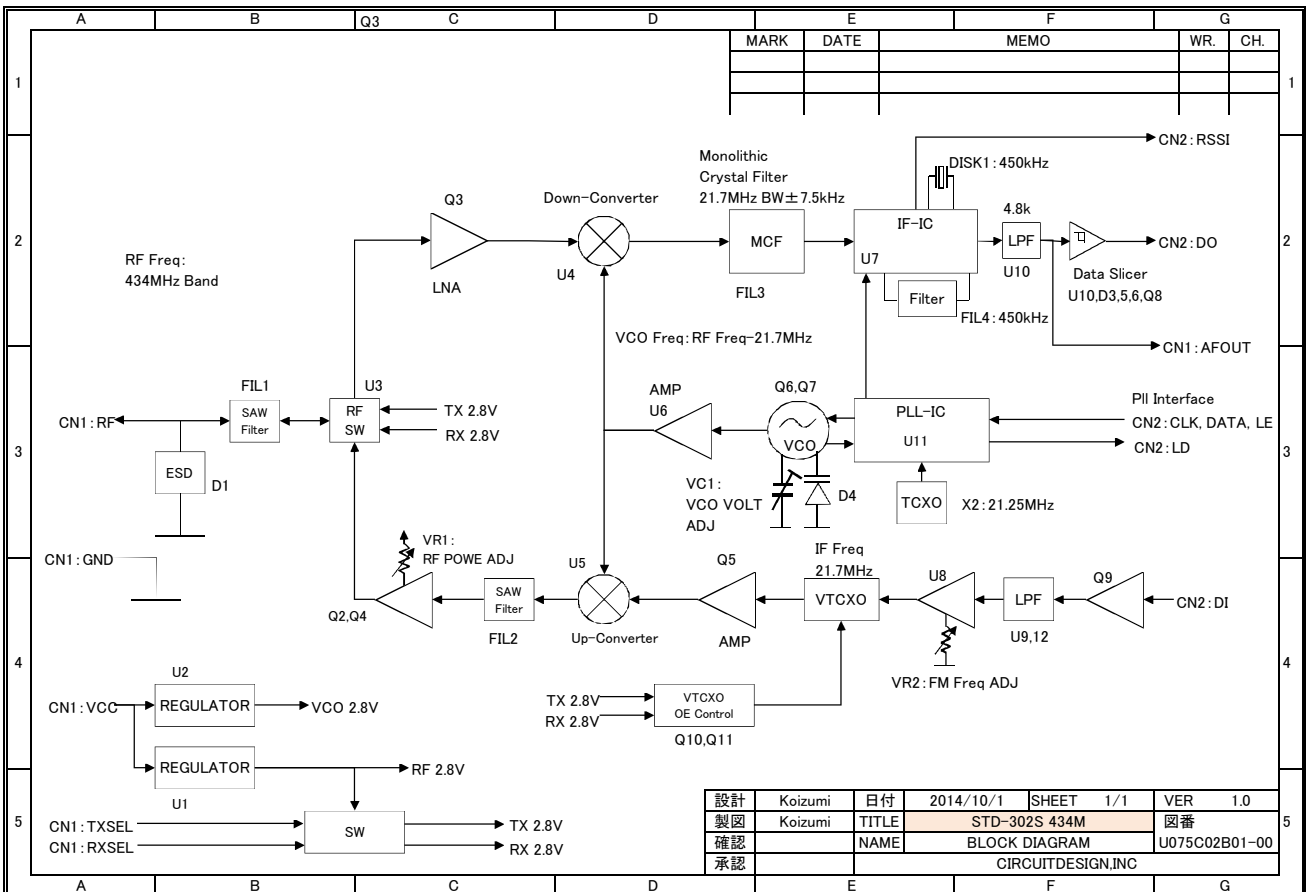
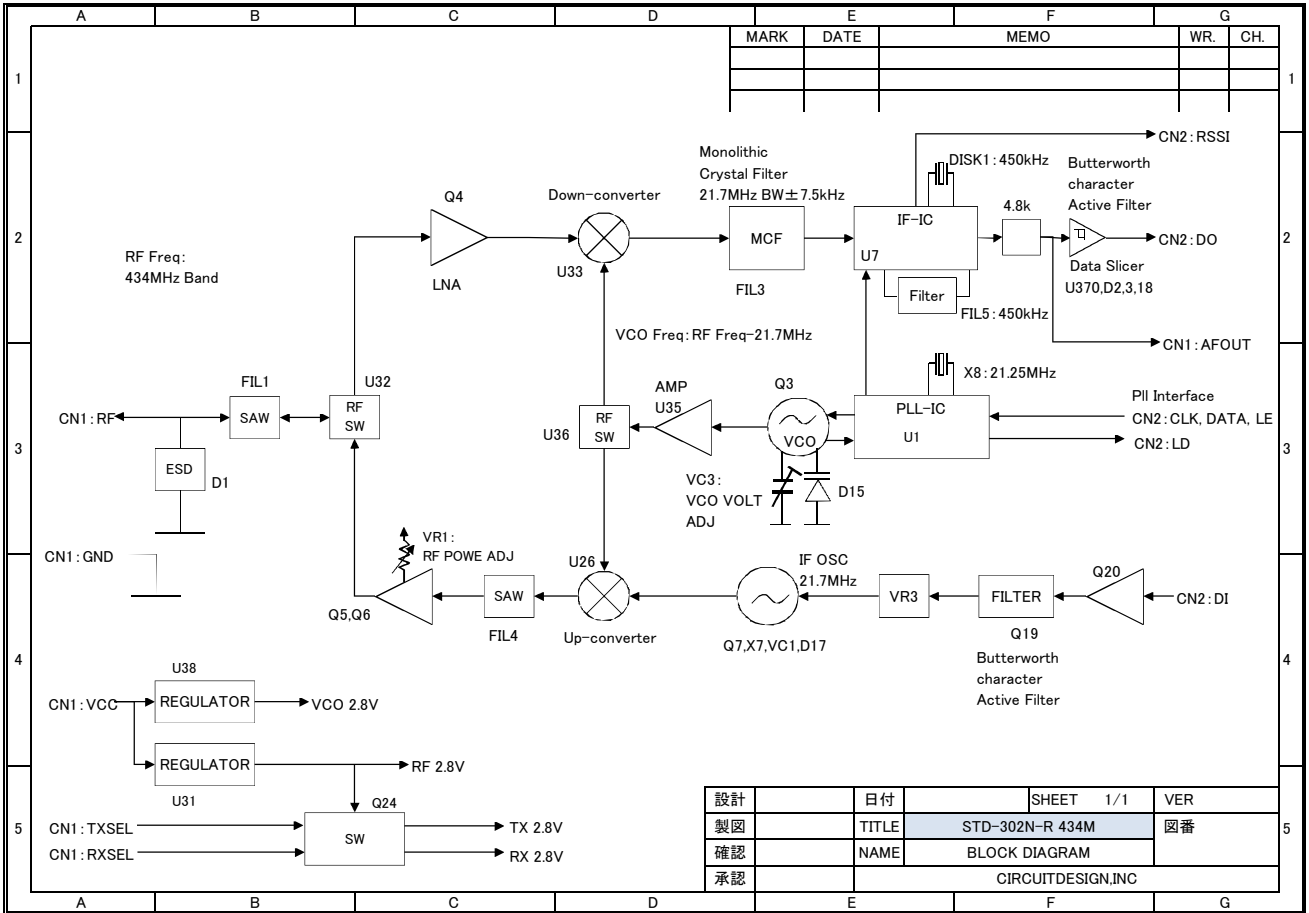
- Production of the STD-302S will start from February 2015.
- Shipment schedule to be dealt on a case by case basis.

Special remark

STD-302N-R 429MHz users need to consult with test laboratory for updating their technical conformity certificate in Japan. In case you need specific technical document of the STD-302S for the conformity certificate, please contact Circuit Design, Inc.

NOTE: If we do not hear from you within 30 days, we will assume your full acceptance to this change and its implementation.

Block Diagram



RSSI characteristics

