

Part Change Notice**Date: Jul. 3, 2015****PCN. No: 1514009****Products:**

STD-302N-R 419 MHz, 447 MHz and 458 MHz.

Description of change

- Obsolete components are changed.
- Modulation circuit consisting of LPF using transistors, R, C and crystal is changed to 5th order LPF using op-amp and VTCXO.
- There is no change in the product specification.

In order to identify the module with above changes, the product name will be changed.

Product name: STD-302N-R → STD-302S

* Comparison figures and block diagrams are attached.

Reason of change:

- STD-302N-R contains several obsolete components whose production discontinuation has been announced by part suppliers. In order to continue stable product supply, these components are changed to the latest components. Modulation circuit is also changed to improve the circuit performance.

Cost Impact:

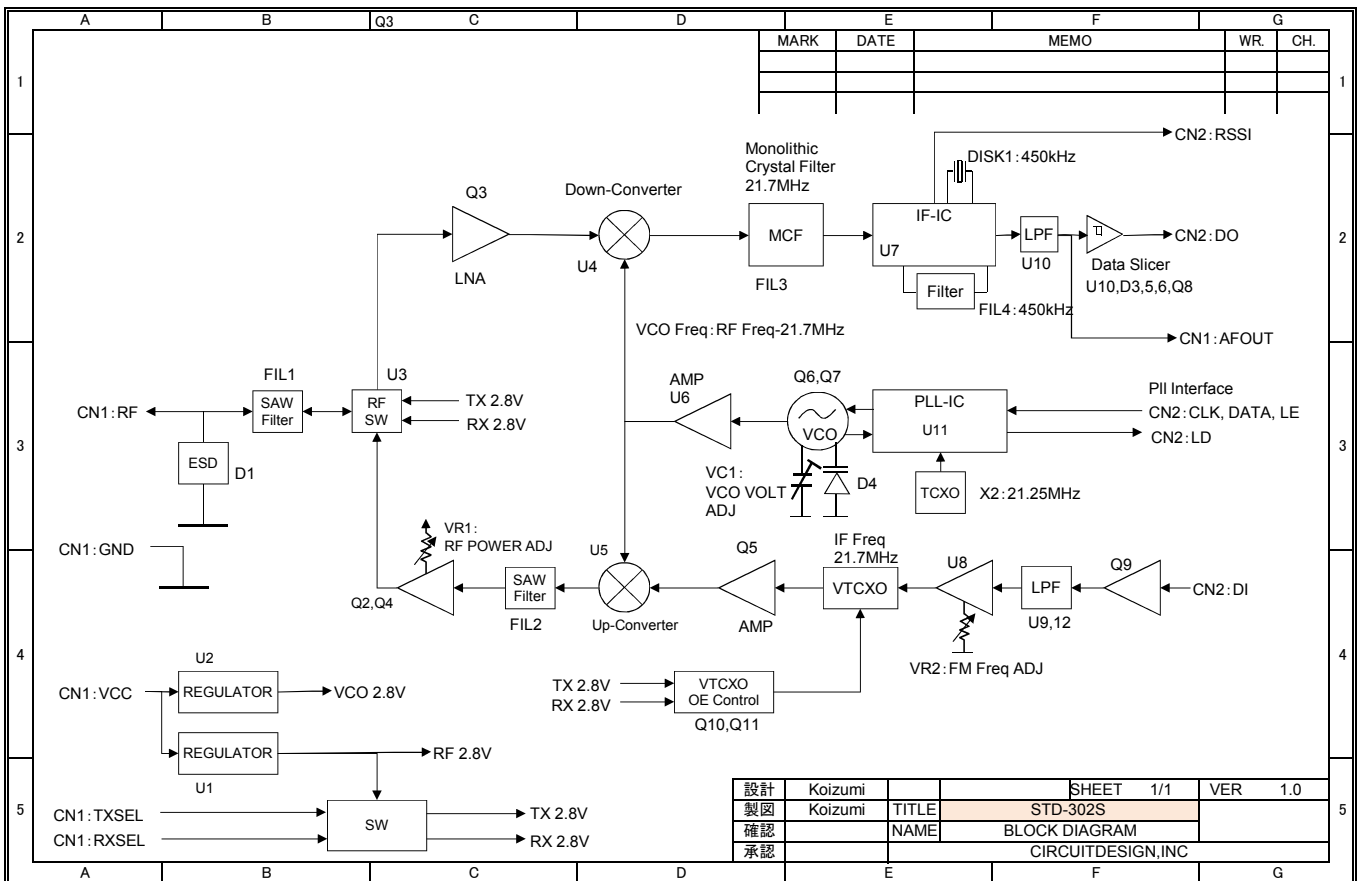
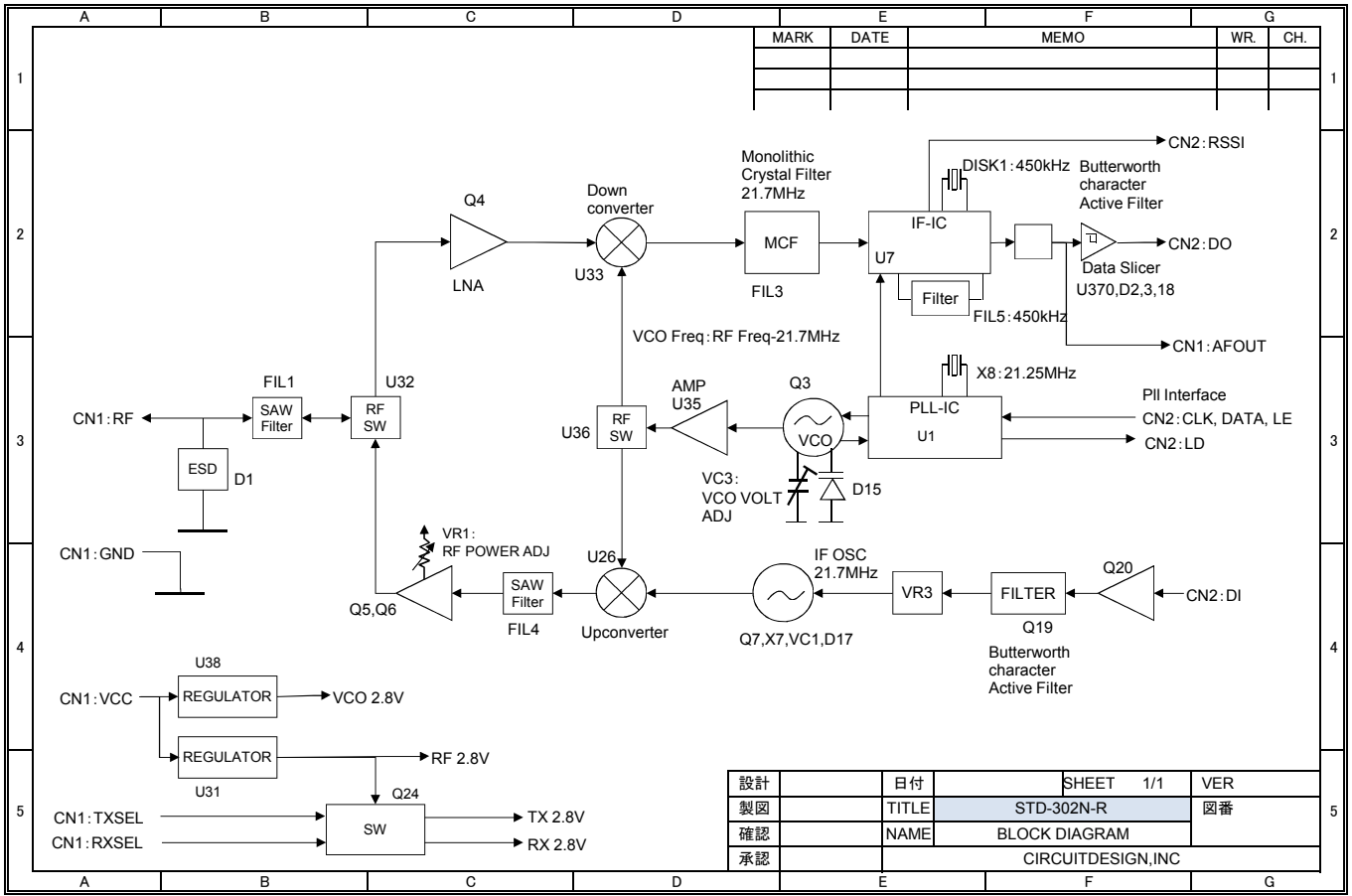
NIL

Change schedule:

- Production of the STD-302S will start from September 2015.
- Shipment schedule to be dealt on a case by case basis.

NOTE: If we do not hear from you within 30 days, we will assume your full acceptance to this change and its implementation.

Block Diagram



RSSI Characteristics (STD-302N-R vs STD-302S)

