

2.4 GHz DSSS low power radio transceiver

STD-502-R**Operation Guide**

Version 2.2 (Jan. 2022)

- This product requires electrical and radio knowledge for setup and operation.
- To ensure proper and safe operation, please read this operation guide thoroughly prior to use.
- Please keep this operation guide for future reference.

CIRCUIT DESIGN, INC.

7557-1 Hotaka, Azumino
Nagano 399-8303 JAPAN
Tel: 0263-82-1024
Fax: 0263-82-1016

e-mail: info@circuitdesign.jp
<http://www.circuitdesign.jp>

Contents

1. OUTLINE	3
2. FEATURES AND APPLICATIONS	3
3. SPECIFICATIONS	4
4. TERMINAL SPECIFICATIONS	6
5. FREQUENCY CHANNEL TABLE	9
6. CONNECTION DIAGRAM	10
7. BLOCK DIAGRAM	11
8. EXTERNAL DIMENSIONS	12
9. COMMANDS AND RESPONSES	13
9.1 Control commands & responses	13
9.2 Country code setting	13
9.3 "@C" Frequency channel setting	13
9.4 "@R" RSSI level readout command	14
9.5 "@B" Data bit rate setting command	14
9.6 "@D" Default frequency channel setting	15
9.7 "@F" Frame detection function setting	15
9.8 "@A" Allowable error bit setting for frame detection	15
9.9 "@U" UART communication speed setting	16
9.10 Error responses	16
10. COMMAND TIMING	17
11. TIMING BETWEEN TX/RX DATA AND CLOCK	18
12. HOW TO DETECT USER DATA	18
13. FRAME DETECTION FUNCTION	19
14. CHANNEL PLAN FOR USING MULTIPLE STD-502-R IN THE SAME AREA	20
REGULATORY COMPLIANCE INFORMATION	21
IMPORTANT NOTICE	25
CAUTIONS	25
WARNINGS	25

1. Outline

The STD-502-R operates in the 2.4 GHz band available worldwide. Designed to be embedded in equipment, this radio transceiver module was developed for industrial applications that require stable and reliable operation. With battery operation, it achieves line of sight radio communication beyond 300 m.

Besides using highly noise-resistant direct-sequence spread spectrum (DSSS) modulation, the module has a true diversity receiver function for preventing signal dropout due to multipath fading. This ensures highly stable and reliable radio communication in the congested 2.4 GHz ISM band. The transceiver uses a transparent input/output interface, enabling users to use their own protocols. In addition, the transceiver can transmit data that includes long consecutive identical bits that cannot be transmitted with conventional radio modules.

The communication setting of the STD-502-R can be configured via serial communication (UART).

2. Features and applications

Features

- Direct-sequence spread spectrum (DSSS)
- True diversity reception
- Communication range 300 m (LOS)
- Low power operation 3.3 V, 55 mA
- Data rate 9.6 kbps / 19.2 kbps
- Built-in data frame detection function
- Operating temperature range -20 to +65°C
- Compliant with EN300 440, FCC Part 15.247, IC RSS-210 and ARIB STD-T66 regulations

Applications

- Remote control of industrial equipment
- Industrial telemetry and monitoring systems

3. Specifications

General specifications

All values were measured with the antenna ports terminated into 50 ohm and at 25 degree C +/- 5 degree C unless otherwise noted.

Item	Specification	Unit	Remarks
Applicable standard	EN300 440, FCC part 15.247, ARIB STD-T66, IC RSS-210		
Communication method	Simplex		
Transmission method	Direct sequence spread spectrum		
Modulation method	FSK		
Operation frequency range	2.4 GHz band (2402.5 – 2478.5 MHz)		1-MHz step, 77 channels
Number of channels	77ch (Ch 0 to Ch 76)		
Antenna connector	RP-SMAJ: Nominal 50 Ω		
Dimensions	50 × 30 × 9 (W x D x H)	mm	RP-SMAJ and connector pins excluded
Weight	24	g	

Interface specifications

Item	Specification	Unit	Remarks
Interface for communication setting	Baud rate: 19.2 kbps (typ.), No parity Data length: 8 bits, Stop bit : 2 bits		Baud rate 19.2 / 38.4 / 57.6 kbps
	Output TXD L = 0 to 0.25 H = Vref - 0.4 to Vref *1	V	UART
	Input RXD L = 0 to 0.25 H = Vref - 0.4 to Vref *1	V	UART
RX data output	DO L = 0 to 0.25 H = Vref - 0.4 to Vref *1	V	RX data out using a transparent method
CLK for data input/output	CLK L = 0 to 0.25 H = Vref - 0.4 to Vref *1	V	
TX data input *2	DI L = 0 to 0.25 H = Vref - 0.4 to Vref *1	V	TX data out using a transparent method
Diversity receiving antenna	DIV L = 0 to 0.25 H = Vref - 0.4 to Vref *1	V	Shows on which antenna data is received.
TX/RX switching terminal	TXRXSEL L = 0 to 0.3 H = Vcc - 0.4 to Vcc	V	H:RX / L:TX
RF standby terminal	STBY L = 0 to 0.3 H = Vcc - 0.4 to Vcc	V	H:RF operation / L:Standby
Reset terminal *2	RST L = 0 to 0.25 H = Vcc - 0.4 to Vcc	V	Reset with L for more than 100 us
Communication level reference terminal	VREF 3.1 - 5.5	V	Vref (a terminal for applying a reference voltage consistent with the external communication level)

*1 "H" level depends on the voltage level applied to the communication level reference terminal (VREF).

*2 TX data input terminal and Reset terminal should be driven with a CMOS output. .

Electrical specification

Item	Conditions	MIN	TYP	MAX	Unit	Remarks
Operating voltage		3.3		5.5	V	
TX current	V _{cc} = 3.3 V		55	65	mA	at 4 mW
Output power	-20 °C /all channels			6	mW /MHz	
	+25°C /all channels		4			
	+65 °C /all channels	2				
RX current	V _{cc} = 3.3 V		65	70	mA	
Receiver sensitivity (9.6 kbps)	-20 to + 65°C /all channels		-99		dBm	Bit error rate = < 0.1 %
Receiver sensitivity (19.2 kbps)	-20 to + 65°C /all channels		-93		dBm	Bit error rate = < 0.1 %
Maximum input level				-13	dBm	
Operating temperature range		-20		65	°C	No dew condensation
Storage temperature range		-30		80	°C	No dew condensation
Aging rate		-1		1	ppm	TX / RX Lo frequency
Initial frequency tolerance		-10		10	ppm	Transmission frequency
Oscillation type	Fractional-N PLL controlled VCO					
Frequency stability	-20 to +65°C	-10		10	ppm	Reference temp. = 25 C
Channel spacing	1 MHz		1		MHz	
Data bit rate		9.6	19.2		kbps	can be changed with the command
Chip rate		144	288		kcps	depends on the data bit rate
PLL reference frequency			26		MHz	TCXO

Actuation time

Item		MIN	TYP	MAX	Unit
Power on in TX mode	Power on -> Permission of issuing country code	42			ms
	Country code reception ->Transmission			5	ms
	Frequency change command reception -> Transmission			3	ms
	Switching from RX mode to TX mode			2	ms
	Recovery from standby			1.2	ms
Power on in RX mode	Power on -> Permission of issuing country code	42			ms
	Country code reception -> Reception			5	ms
	Frequency change command reception -> Reception			3	ms
	Switching time from TX mode to RX mode			2	ms
	Recovery from standby			1.2	ms

4. Terminal specifications

Terminal No.	Terminal name	Input/Output	Input/Output level (V)		Internal equivalent circuit							
			Low	Hi								
1	CLK	Output	0 to 0.25	Vref -0.4 to Vref								
		When in TX mode: Synchronous CLK for TX data input When in RX mode: Synchronous CLK for RX data output										
2	DIV	Output	0 to 0.25	Vref -0.4 to Vref								
		This terminal shows which of the two receiving terminals received the signal actually used for data output. . <table border="1" style="margin: 10px auto;"> <tr> <td>DIV</td> <td>Data receiving terminal</td> </tr> <tr> <td>L</td> <td>RFIN</td> </tr> <tr> <td>H</td> <td>RFIN RFOUT</td> </tr> </table>				DIV	Data receiving terminal	L	RFIN	H	RFIN RFOUT	
DIV	Data receiving terminal											
L	RFIN											
H	RFIN RFOUT											
3	RST	Input	0 - 0.25	Vcc -0.4 to Vcc								
		The initialization terminal for the frame detection function*. The internal circuit is initialized with 'L' level for more than 100 μs. Normally set this terminal to 'H'. * For details of the frame detection function, refer to 13. <i>Frame detection function</i> .										
4	TXD	Output	0 to 0.25	Vref -0.4 to Vref								
		The output terminal for serial communication. <table border="1" style="margin: 10px auto;"> <thead> <tr> <th colspan="2">Settings for serial communication</th> </tr> </thead> <tbody> <tr> <td>Baud rate</td> <td>19.2 kbps *</td> </tr> <tr> <td>Data length</td> <td>8 bits</td> </tr> <tr> <td>Parity</td> <td>none</td> </tr> <tr> <td>Stop bits</td> <td>2 bits</td> </tr> </tbody> </table> * Can be changed with the command (See 9.9 "@U" <i>UART communication speed setting</i>).				Settings for serial communication		Baud rate	19.2 kbps *	Data length	8 bits	Parity
Settings for serial communication												
Baud rate	19.2 kbps *											
Data length	8 bits											
Parity	none											
Stop bits	2 bits											

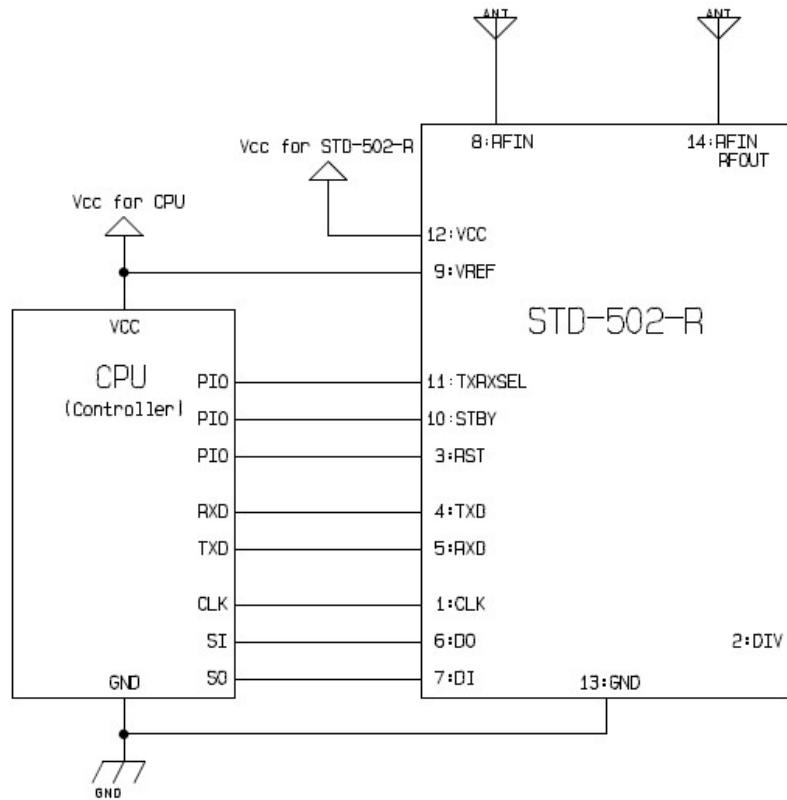
Terminal No.	Terminal name	Input/Output	Input/Output level (V)		Internal equivalent circuit							
			Low	Hi								
5	RXD	Input	0 to 0.25	Vref -0.4 to Vref								
		The input terminal for serial communication. <table border="1" style="margin: 10px auto;"> <thead> <tr> <th colspan="2">Settings for serial communication</th> </tr> </thead> <tbody> <tr> <td>Baud rate</td> <td>19.2 kbps *</td> </tr> <tr> <td>Data length</td> <td>8 bits</td> </tr> <tr> <td>Parity</td> <td>none</td> </tr> <tr> <td>Stop bits</td> <td>2 bits</td> </tr> </tbody> </table> * Can be changed with the command (See 9.9 "@U" UART communication speed setting).				Settings for serial communication		Baud rate	19.2 kbps *	Data length	8 bits	Parity
Settings for serial communication												
Baud rate	19.2 kbps *											
Data length	8 bits											
Parity	none											
Stop bits	2 bits											
6	DO	Output	0 to 0.25	Vref -0.4 to Vref								
		The RX data output terminal. Outputs RX data in synchronization with the clock signal from the CLK terminal. The DO data should be read at the rising edge of the CLK signal.										
7	DI	Input	0 to 0.25	Vref -0.4 to Vref								
		The TX data input terminal. Inputs TX data in synchronization with the clock signal from the CLK terminal. Data should be set to the DI at the falling edge of the CLK signal.										
8	RFIN	Input	-	-								
		The RF input terminal.										
9	VREF	Input	3.1	5.5								
		The input terminal for interface reference voltage. Communication is performed using the voltage level applied to this terminal. The reference voltage is applied to the following terminals: <ul style="list-style-type: none"> • CLK terminal • DIV terminal • RESET terminal • TXD terminal • RXD terminal • DO terminal • DI terminal 										

10	STBY	Input	0 - 0.3	Vcc -0.4 to Vcc	
		Sets the STD-502-R into RF-standby state. Setting this terminal to H enables TX/RX operation and setting to L enables RF-standby. RF-standby can be used to reduce the current consumption.			
11	TXRX SEL	Input	0 - 0.3	Vcc -0.4 to Vcc	
		The terminal for switching the TX mode and RX mode. Setting this terminal to 'L' enables the TX mode and setting to 'H' enables the RX mode. When the terminal is high impedance, the TX mode is enabled.			
12	VCC	VCC	3.3	5.5	The power supply terminal. Do not apply voltage exceeding the operating voltage range.
13	GND	GND	-	-	The GND terminal.
14	RFIN RFOUT	Input/Output	-	-	The terminal for RF input and output. When the STD-502-R operates in the TX mode, this terminal functions as an RF output and when in the RX mode, functions as an RF input.

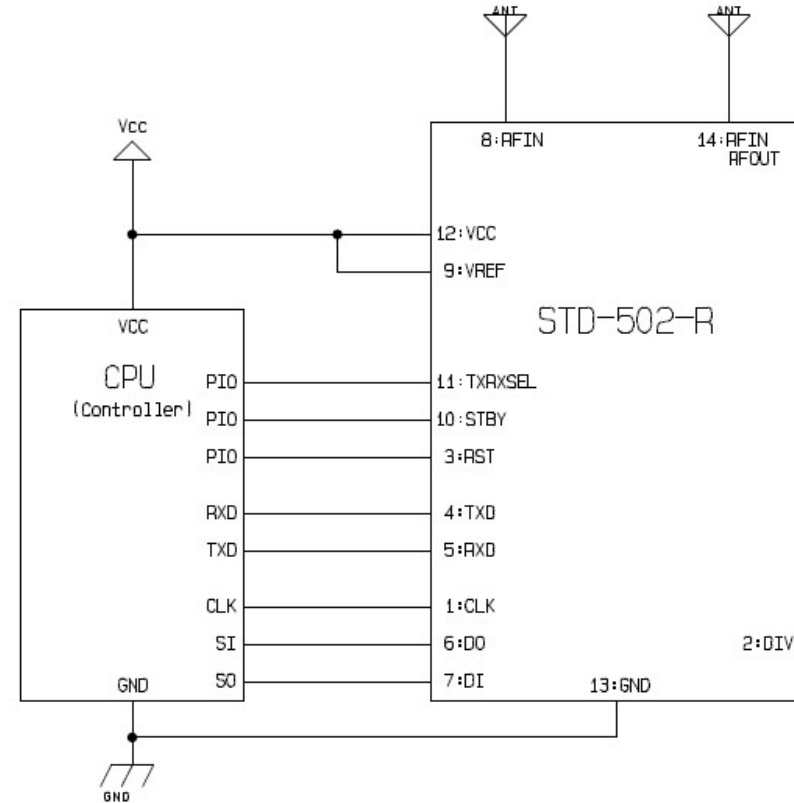
5. Frequency channel table

CH No.	Channel No. (Hex)	Frequency [MHz]	CH No.	Channel No. (Hex)	Frequency [MHz]
0	00	2402.5	39	27	2441.5
1	01	2403.5	40	28	2442.5
2	02	2404.5	41	29	2443.5
3	03	2405.5	42	2A	2444.5
4	04	2406.5	43	2B	2445.5
5	05	2407.5	44	2C	2446.5
6	06	2408.5	45	2D	2447.5
7	07	2409.5	46	2E	2448.5
8	08	2410.5	47	2F	2449.5
9	09	2411.5	48	30	2450.5
10	0A	2412.5	49	31	2451.5
11	0B	2413.5	50	32	2452.5
12	0C	2414.5	51	33	2453.5
13	0D	2415.5	52	34	2454.5
14	0E	2416.5	53	35	2455.5
15	0F	2417.5	54	36	2456.5
16	10	2418.5	55	37	2457.5
17	11	2419.5	56	38	2458.5
18	12	2420.5	57	39	2459.5
19	13	2421.5	58	3A	2460.5
20	14	2422.5	59	3B	2461.5
21	15	2423.5	60	3C	2462.5
22	16	2424.5	61	3D	2463.5
23	17	2425.5	62	3E	2464.5
24	18	2426.5	63	3F	2465.5
25	19	2427.5	64	40	2466.5
26	1A	2428.5	65	41	2467.5
27	1B	2429.5	66	42	2468.5
28	1C	2430.5	67	43	2469.5
29	1D	2431.5	68	44	2470.5
30	1E	2432.5	69	45	2471.5
31	1F	2433.5	70	46	2472.5
32	20	2434.5	71	47	2473.5
33	21	2435.5	72	48	2474.5
34	22	2436.5	73	49	2475.5
35	23	2437.5	74	4A	2476.5
36	24	2438.5	75	4B	2477.5
37	25	2439.5	76	4C	2478.5
38	26	2440.5			

6. Connection diagram



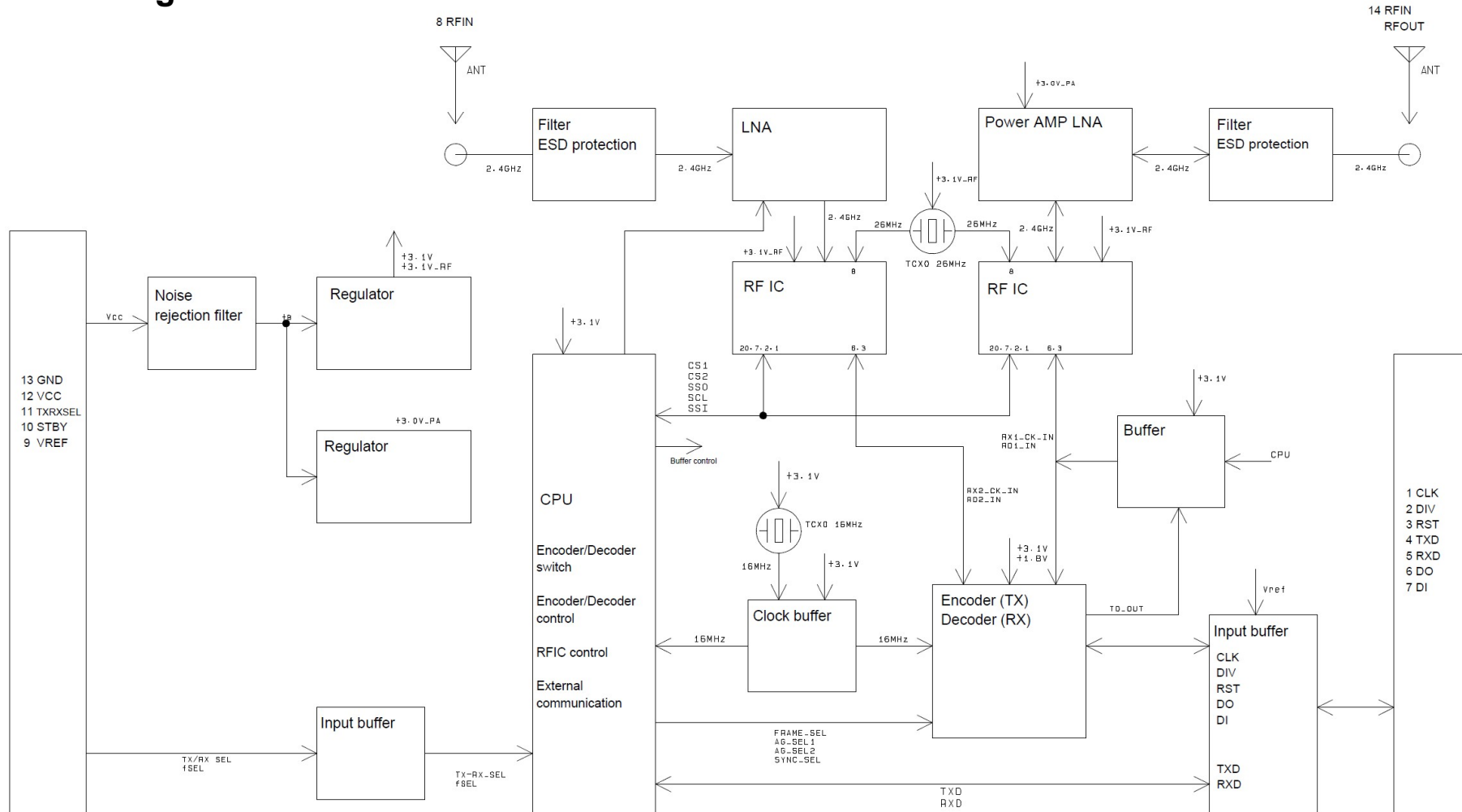
Using a different VCC voltage for the CPU and the STD-502-R



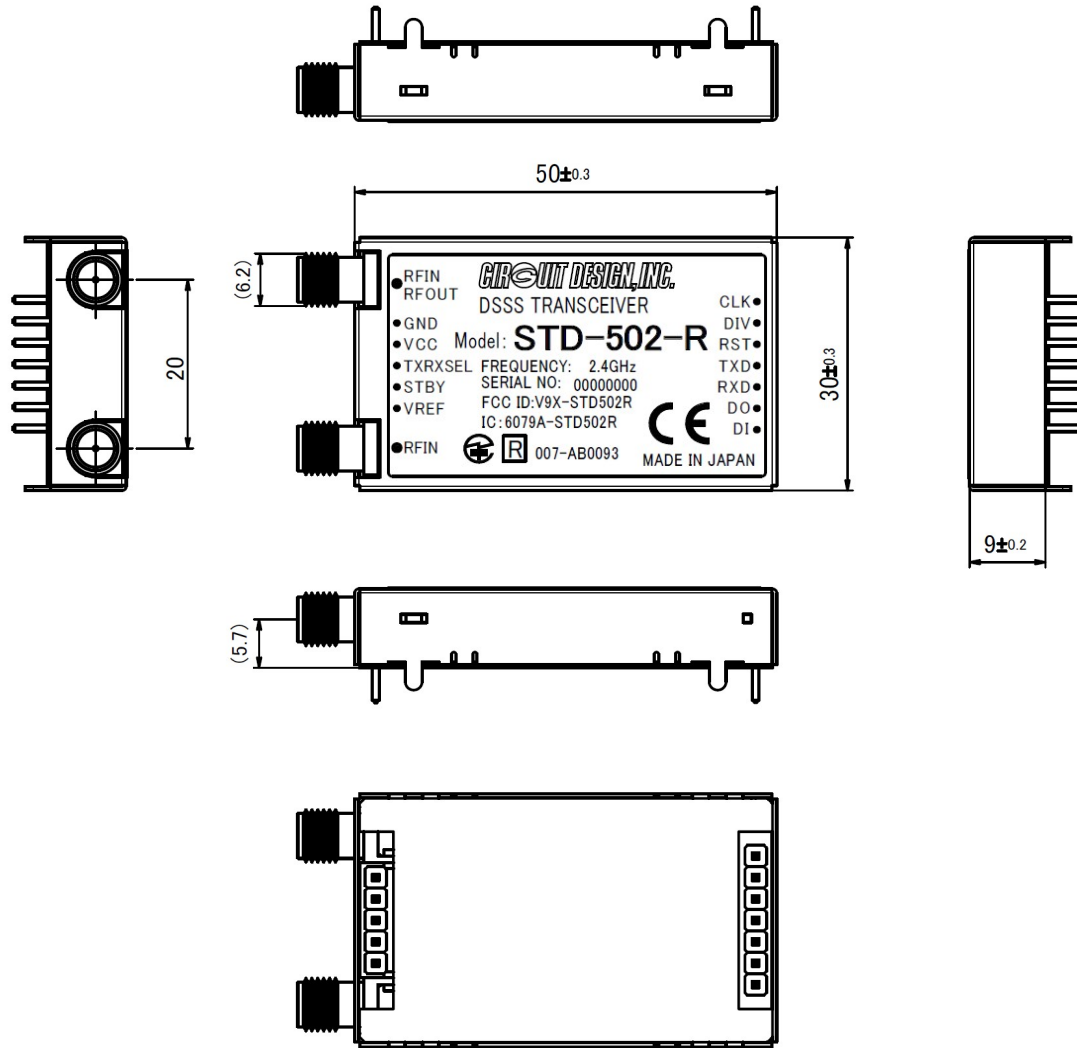
Using a common VCC voltage for the CPU and the STD-502-R

Connection example using the SIO of a CPU

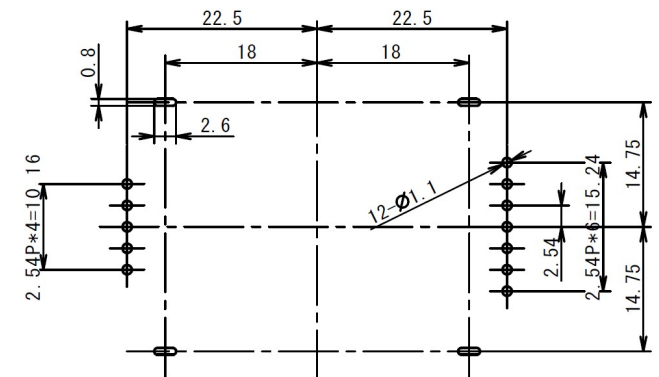
7. Block diagram



8. External dimensions



Terminal Number (Top view)



Reference hole position for PCB mounting (Top view)

9. Commands and responses

9.1 Control commands & responses

Command basic format

Prefix + command name + value + [CR]

Prefix: '@' = 40h, a code that indicates the start of the command string.

Command name: An ASCII code of one or three characters.

Value: An ASCII code of two or three characters corresponding to each command.

Response basic format

Prefix + command name + value + [CR]

Prefix: '*'=2Ah, a code that indicates the start of the response string.

Command name: An ASCII code of a single character corresponding to the received command.

Value: An ASCII code of two characters corresponding to each command.

9.2 Country code setting

To use the STD-502-R, a country code should be set whenever the power is turned on. Specify the code of the country where the module is used.

Setting command

US: @LUS

EU and Japan: @LEJ

Response command

US: *LUS

EU and Japan: *LEJ

For the timing of command input, refer to 10. *Command timing*.

9.3 "@C" Frequency channel setting

Sets the channel to be used.

Specify the channel following '@C' with an ASCII code of two characters.

Value: '0'0' - '4'C' (ASCII codes indicating the channel numbers of 0 to 76)

Example: Change the channel to 0Fh

Control command: @C0F

Control response: *C0F

9.4 "@R" RSSI level readout command

The command for reading out RSSI levels.

Following '@R', specify one of the following two ASCII codes.

Value: '0'1' : Reads out the RSSI level of the receiver circuit for RFIN/RFOUT.

'0'2' : Reads out the RSSI level of the receiver circuit for RFIN.

Example: Reads out the RSSI level of the receiver circuit for RFIN/RFOUT.

Control command: @R01

Control response: *R5D

The absolute value of the RSSI level is returned in hexadecimal.

The RSSI level can be obtained by decimalizing the value part of the control response and adding "-" (minus) . *R5D is -93 dBm.

9.5 "@B" Data bit rate setting command

This command can be used when the STD-502-R is set to EU/JP.

When set to US, the bit rate is fixed to 19.2 kbps.

Sets the data bit rate.

Specify one of the following two ASCII codes following '@B'.

The setting is retained when the power is turned off.

Value: '9'6' : 9.6 kbps

'1'9' : 19.2 kbps

Example: Change to 19.2 kbps.

Control command: @B19

Control response: *B19

* The default setting is '1'9'.

* The number of setting times for communication bit rate is up to 2000.

9.6 "@D" Default frequency channel setting

Sets the default frequency channel to be stored in the internal memory. Specify the channel following '@D' with the ASCII code of two characters. The setting is enabled when the power is turned on again.

Value: '0'0' - '4"C' (ASCII codes indicating the channel numbers of 0 to 76)

Example: Change the channel to **4Ch**

Control command: @D4C

Control response: *D4C

* The default setting is '0'0'.

* The number of setting times for frequency channel is up to 2000.

9.7 "@F" Frame detection function setting

Sets the frame detection function.

Specify one of the following two ASCII codes following '@F' .

The setting is no longer retained when the power is turned off.

Value: '0'0' : enables the frame detection function.

'0'1' : disables the frame detection function.

* The default setting is '0'1' (frame detection function disabled).

* For details of the frame detection function, refer to 13. *Frame detection function*.

9.8 "@A" Allowable error bit setting for frame detection

Sets the allowable error bit number for the frame detection function.

Specify one of the following ASCII codes following '@A' .

The setting is no longer retained when the power is turned off.

Value: '0'0' : 0 error bit allowed (all 31 bits should be matched)

'0'1' : 4 error bits allowed (27 bits should be matched)

'1'0' : 6 error bits allowed (25 bits should be matched)

'1'1' : 8 error bits allowed (23 bits should be matched)

* The default setting is '0'0'.

* For details of the frame detection function, refer to 13. *Frame detection function*.

9.9 "@U" UART communication speed setting

Sets the UART communication speed.

Specify one of the following ASCII codes following '@U' .

The UART communication speed is set to 19.2 kbps whenever the module is turned on.

Value: '1"9' : 19.2 kbps

'3"8' : 38.4 kbps

'5"7' : 57.6 kbps

9.10 Error responses

If there is an error in the format of the command issued, an error code of the type shown below is sent in response.

- Format

Prefix + response name + value + [CR]

Prefix: '*'=2Ah, a code that indicates the start of the response string.

Response name: A single ASCII character 'E'.

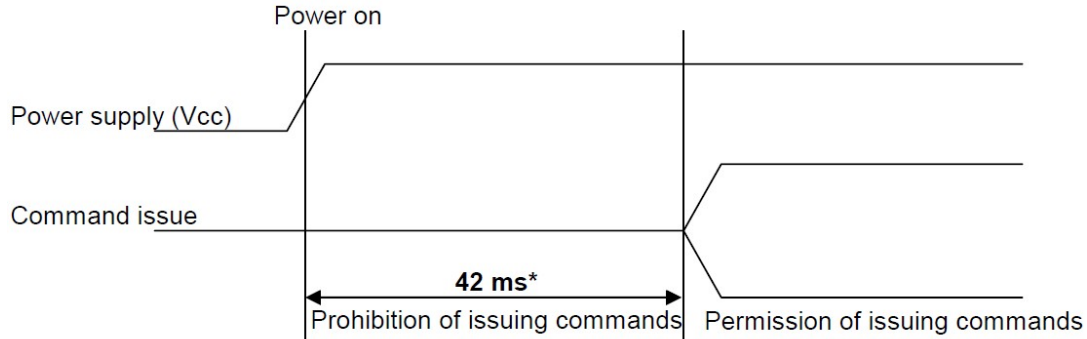
Value: an ASCII code of two characters shown in the error code list.

- Error code list

Code	Description
'0"1'	The issued command does not exist.
'0"2'	The specified channel is outside the setting range.
'0"3'	Initialization failed. Turn the power on again.
'0"4'	Command setting failed. Perform setting again.

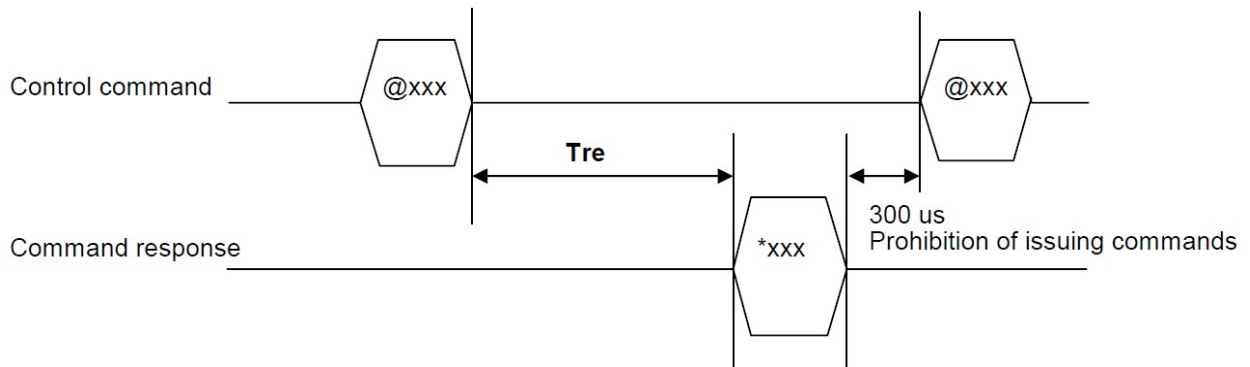
10. Command timing

Period when issuing commands is prohibited when turning on power



* Time till the issuance of the country code is permitted.

Control command and response timing

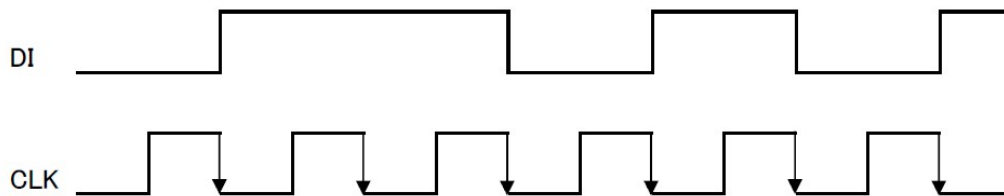


Command	Tre (Response time)	Unit
@LUS	3-185	ms
@LEJ	3-185	ms
@Cxx	3	ms
@R0x	500	us
@Bxx	340	ms
@Dxx	340	ms
@F0x	500	us
@Axx	500	us
@Uxx	500	us

11. Timing between TX/RX data and clock

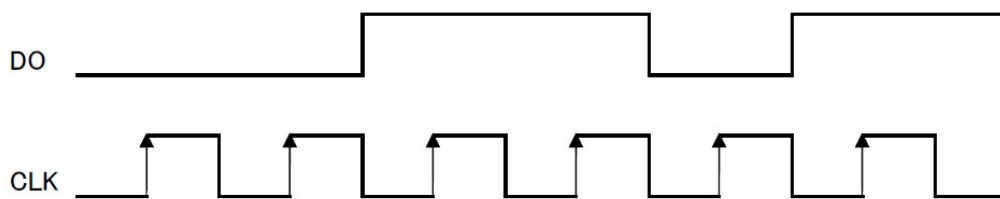
Timing between TX data and clock

Set the TX data (DI) in synchronization with the falling edge of the clock signal (CLK).



Timing between RX data and clock

Read the RX data (DO) in synchronization with the rising edge of the clock signal (CLK).



*There is a known problem with the clock signal while the STD-502-R is receiving. Please make sure to check the errata sheet (Errata_STD502R-01e) attached at the end of this document.

12. How to detect user data

To detect user data from the received data, place a 2- or 3-byte preamble and a unique 16- or 32-bit frame code prior to the user data.

However, if any code in the user data should match with the frame code, the user data cannot be properly detected. To prevent the false detection, an error detection/correction code needs to be added to the user data.

For detecting user data, the frame detection function of the STD-502-R can be also used. (See 13. *Frame detection function*)

13. Frame detection function

By using the frame detection function of the STD-502-R, user data can be detected from the received data. To enable the frame detection function, issue the command of “@F00” to the RXD after turning on the power of the STD-502-R.

The following procedure shows how to use the frame detection function using the SIO interface of the user CPU.

Transmission:

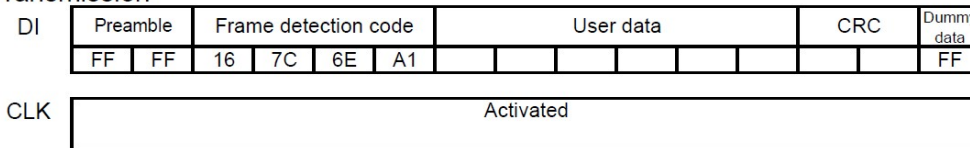
1. Set the SO of the user CPU so that data is set at the falling edge of the CLK.
2. Input a 2-byte preamble (e.g. FF, FF) by 8 bits in hexadecimal.
3. Input a 32-bit frame detection code by 8 bits (hex) in the order of 16, 7C, 6E, A1.
4. Input user data by 8 bits from first (ID code etc.) to last (CRC etc.) .
5. Finally input a byte of dummy data (e.g. FF) to prevent the last bit of the user data from dropping out.
6. Repeat the above steps 1 to 5 to send the next data.

Reception:

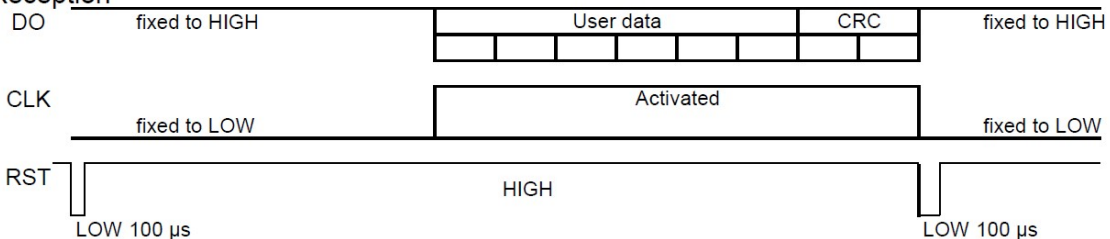
1. Set the RST terminal to 'L' for more than 100 μs to initialize the detection circuit and set it back to 'H'. At this point, the DO is fixed to 'H' and the CLK is fixed to 'L'.
2. Set the SI of the user CPU so that the data is taken in at the rising edge of the CLK, and then enable the SIO reception interrupt.
3. When a frame detection code is received, a SIO reception interrupt occurs at every byte. Process the SIO reception interrupts over the user data from the first byte (ID code etc.) to the last (CRC etc.).
4. Once the last data is processed, repeat the above steps of 1 and 2 to be ready for the next data.

Data frame

Transmission



Reception



Setting of allowable error bit number

By default, all 31 bits of the frame detection code should be completely coincident. Use the @A command to set the number of allowable error bits.

- @A00 No error bit allowed (31-bit matching)
- @A01 4-error bits allowed (27-bit matching)
- @A10 6-error bits allowed (25-bit matching)
- @A11 8-error bits allowed (23-bit matching)

14. Channel plan for using multiple STD-502-R in the same area

Avoiding the interference caused by spurious emission

The STD-502-R emits spurious emissions at 13 MHz intervals from the carrier frequency due to the characteristics of the RFIC used in the STD-502-R. The spurious level is well within the regulation limit of each country where the STD-502-R is approved for use.

However, when multiple STD-502-R modules are operated at the same time within a range of 30 m, if there is an STD-502-R whose receiver channel matches up with one of the spurious frequencies of other modules, cross-talk may be caused between the modules.

To avoid this problem, the followings are recommended:

1. Use a channel plan to avoid interference

First, create a basic channel plan to avoid third-order intermodulation interference*.

Then eliminate the 13 MHz-spaced spurious frequencies from the plan you made.

Use the resultant channels for multiple-channel operation in a small area.

* Circuit Design provides a calculation tool to create a channel plan to avoid third-order intermodulation interference on its website: https://www.cdt21.com/technical_tools/channel-planning/

2. Include channel setting information in transmission data

By including channel setting information in the transmission data, the receiver only processes the data if the channel setting information matches channel setting of receiver.

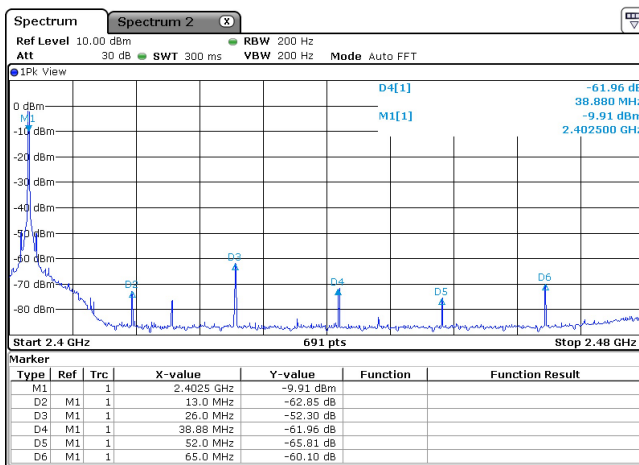


Fig. 1
13MHz-spaced spurious when the channel is set to CH00

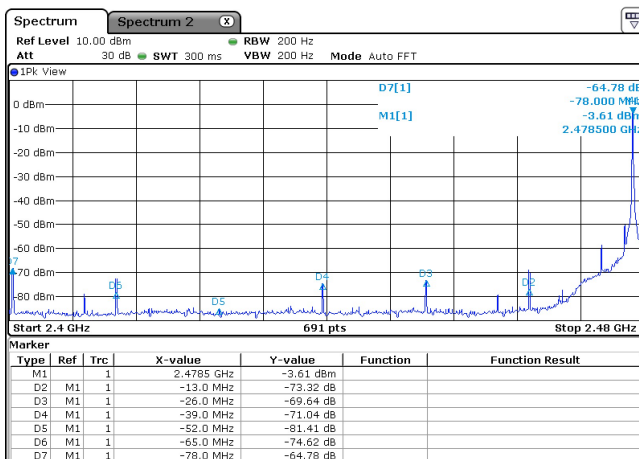


Fig. 2
13MHz-spaced spurious when the channel is set to CH4C

Regulatory compliance information

Regulatory Statement for FCC

The STD-502-R complies with part 15 of the FCC Rules. Operation is subject to the following two conditions: (1) This device may not cause harmful interference, and (2) this device must accept any interference received, including interference that may cause undesired operation.

Caution: Any changes or modifications not expressly approved by the party responsible for product compliance could void the user's authority to operate the equipment.

Note: This equipment has been tested and found to comply with the limits for a Class B digital device, pursuant to part 15 of the FCC Rules. These limits are designed to provide reasonable protection against harmful interference in a residential installation. This equipment generates, uses and can radiate radio frequency energy and, if not installed and used in accordance with the instructions, may cause harmful interference to radio communications. However, there is no guarantee that interference will not occur in a particular installation. If this equipment does cause harmful interference to radio or television reception, which can be determined by turning the equipment off and on, the user is encouraged to try to correct the interference by one or more of the following measures:

- Reorient or relocate the receiving antenna.
- Increase the separation between the equipment and receiver.
- Connect the equipment into an outlet on a circuit different from that to which the receiver is connected.
- Consult the dealer or an experienced radio/TV technician for help.

Labeling

FCC ID: V9X-STD502R

The proposed FCC ID label format is to be placed on the module. If FCC ID is not visible when the module is installed into the system, "Contains FCC ID: V9X-STD502R shall be placed on the outside of final host system.

Caution: Exposure to radio frequency radiation

To comply with FCC RF exposure compliance requirements, a separation distance of at least 20 cm must be maintained between the antenna of this module and all persons. This module must not be co-located or operating in conjunction with any other antenna or transmitter, except in accordance with FCC multi-transmitter product procedures.

Antenna

Only those antennas with same type and lesser gain filed under this FCC ID number can be used with this module.

The antennas used with this module are as follows;

- Antenna Type & Antenna Gain;
- Sleeve Antenna, 2dBi
- Loop PCB Antenna, 1.89dBi
- Coaxial Antenna, 1.67dBi

Instructions to the final system integrators

The final system integrator must ensure there is no instruction provided in the user manual or customer documentation indicating how to install or remove the transmitter module.

Regulatory Statement for IC

This device complies with Industry Canada license-exempt RSS standard(s). Operation is subject to the following two conditions: (1) This device may not cause harmful interference, and (2) this device must accept any interference received, including interference that may cause undesired operation.

Cet appareil est conforme avec Industrie Canada exempts de licence standard RSS (s). L'utilisation de ce dispositif est autorisée seulement aux conditions suivantes : (1) il ne doit pas produire de brouillage et (2) l'utilisateur du dispositif doit être prêt à accepter tout brouillage radioélectrique reçu, même si ce brouillage est susceptible de compromettre le fonctionnement du dispositif.

Caution: Any changes or modifications not expressly approved by the party responsible for product compliance could void the user's authority to operate the equipment.

Labeling:

IC Number: 6079A-STD502R

The proposed IC Number label format is to be placed on the module. If IC Number is not visible when the module is installed into the system, "Contains IC: 6079A-STD502R" shall be placed on the outside of final host system.

Antenna

This radio transmitter IC Number 6079A-STD502R has been approved by Industry Canada to operate with the antenna types listed below with the maximum permissible gain and required antenna impedance for each antenna type indicated. Antenna types not included in this list, having a gain greater than the maximum gain indicated for that type, are strictly prohibited for use with this device.

The antenna used this module is as follows;

Antenna Type & Antenna Gain;

Sleeve Antenna, 2.0dBi

Loop PCB Antenna, 1.89dBi

Coaxial Antenna, 1.67dBi

Caution: Exposure to Radio Frequency Radiation

To comply with IC RF exposure compliance requirements, a separation distance of at least 20 cm must be maintained between the antenna of this device and all persons. This device must not be co-located or operating in conjunction with any other antenna or transmitter.

Pour se conformer aux exigences en matière d'exposition RF IC, une distance de séparation d'au moins 20 cm doit être maintenue entre l'antenne de cet appareil et toutes les personnes. Cet appareil ne doit pas être co-localisées ou opérant en conjonction avec une autre antenne ou un autre émetteur.

DoC and restrictions for CE

Declaration of Conformity

Hereby, Circuit Design, Inc. declares that the STD-502-R is in compliance with RE Directive (2014/53/EU). The full text of the EU Declaration of Conformity is available at www.circuitdesign.jp.

Hiermit erklärt Circuit Design, Inc., dass der Funkanlagentyp STD-502-R der Richtlinie 2014/53/EU entspricht. Der vollständige Text der EU-Konformitätserklärung ist unter der folgenden Internetadresse verfügbar: www.circuitdesign.jp

Le soussigné, Circuit Design, Inc, déclare que l'équipement radioélectrique du type STD-502-R est conforme à la directive 2014/53/UE. Le texte complet de la déclaration UE de conformité est disponible à l'adresse internet suivante: www.circuitdesign.jp

Il fabbricante, Circuit Design, Inc., dichiara che il tipo di apparecchiatura radio STD-502-R è conforme alla direttiva 2014/53/UE. Il testo completo della dichiarazione di conformità UE è disponibile al seguente indirizzo Internet: www.circuitdesign.jp

Por la presente, Circuit Design, Inc. declara que el tipo de equipo radioeléctrico STD-502-R es conforme con la Directiva 2014/53/UE. El texto completo de la declaración UE de conformidad está disponible en la dirección Internet siguiente: www.circuitdesign.jp

Remark:

This module is for a portable application. The final system integrator will need to conduct full EMC testing in accordance with EN301 489-3 in the final use configuration.

Also the final system needs to fulfill the safety requirements in the final product configuration.

Cautions:

Antenna

The conformity assessment of the STD-502-R was performed using the following antennas:

Antenna Type & Antenna Gain;

Sleeve Antenna, 2dBi

Loop PCB Antenna, 1.89dBi

Coaxial Antenna, 1.67dBi

Only those antennas with same type and lesser gain can be used with this module. If you use an antenna other than the recommended antennas, further radio conformity assessment may be required.

Enclosure

To fulfill the requirements of EMC and safety requirements, the STD-502-R should be mounted on the circuit boards of the final products and must be enclosed in the cases of the final products. No surface of the STD-502-R should be exposed.

Exposure to radio frequency radiation

This module must not be co-located or operating in conjunction with any other antenna or transmitter.

Conformity assessment of the final product

The manufacturer of the final product is responsible for ascertaining the conformity of the final product to the requirements of the RE Directive.

Cautions and guidance for use in Japan

The STD-502 has obtained a Technical Regulations Conformity Certification as a second generation low power radio communication system (STD-T66) based on the Radio Law in Japan.
 Certification Number : 007-AB0093

Warnings

- Do not take apart or modify the module. If do so, you may be punished by the Radio law.
- Do not remove the product label on which the technical conformity mark and certification number are printed. It can be an infringement of the Radio law if you use radio equipment which has no Technical conformity mark.
- Do not show the certification number on the final product.
- The conformity assessment of the STD-502-R was performed using the following antennas:

Sleeve Antenna, 2dBi
 Loop PCB Antenna, 1.89dBi
 Coaxial Antenna, 1.67dBi

If you use an antenna other than the above antennas, further conformity assessment will be required. For details, please ask Circuit Design, Inc.

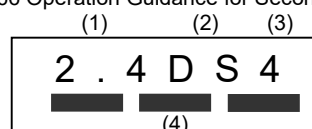
This product shares a frequency band with a wide range of equipment: e.g. industrial, scientific, and medical equipment such as microwave ovens, premises radio stations (radio stations requiring licenses) and specified low-power radio stations (radio stations not requiring licenses) for RFID used for factory production lines as well as amateur radio stations (radio stations requiring licenses).

1. Before use, confirm that no premises radio stations and specified low-power radio stations for RFID or amateur radio stations operate in your vicinity.
2. In the event that this product causes harmful interference to any premises radio station for RFID, immediately change frequencies or halt radio wave emission and contact us at the information indicated below for consultation on interference avoidance measures (e.g., partition installation).
3. Contact us at the information indicated below if this product causes harmful interference to any specified low-power radio stations for RFID or amateur radio stations or if other problems arise.

When operating the radio system embedding the STD-502-R, we recommend that you follow the instructions in the “ARIB STD-T66 Operation Guidance for Second-generation Low-power Data Communication Systems Radio Stations”.

Indication of symbols on equipment (defined in “ARIB STD-T66 Operation Guidance for Second-generation Low-power Data Communication Systems Radio Stations”)

- (1) Frequency band: 2.4 GHz
- (2) Modulation system: DS
- (3) Estimated interference-causing radius: Within 40 m
- (4) Frequency-changing capability: The system uses the entire band and is capable of avoiding the band used by RFID systems.



Indication of information on fixed, outdoor-installed equipment

When operating the radio system embedding the STD-502-R as a fixed outdoor radio station, indicate the following information at a prominent location on the on the main unit, antenna or casing of the system.

(Example from “ARIB STD-T66 Operation Guidance for Second-generation Low-power Data Communication Systems Radio Stations”)

2.4 GHz band low-power data
communications system radio station

Operator XX Communication Co., Ltd.
 IP Division Customer Service Center
 To contact : TEL : 03-XXXX-XXXX
 : URL : http://www.XX.co.jp

- (1) Indication of radio station : The equipment shall be clearly labeled as “2.4 GHz band low-power data communications system radio station.”
- (2) Name of owner or operator : The name of the individual shall be indicated if the radio station is owned or operated by that individual. The names of the relevant entity and section or person in charge shall be indicated if the radio station is owned or operated by that entity.
- (3) Contact information : Telephone number, e-mail address, or URL shall be indicated.
- (4) Others : Useful information on interference avoidance may be indicated, as necessary.

For more details, please contact Circuit Design, Inc.

Important notice

- Customers are advised to consult with Circuit Design sales representatives before ordering. Circuit Design believes the provided information is accurate and reliable. However, Circuit Design reserves the right to make changes to this product without notice.
- Circuit Design products are neither designed nor intended for use in life support applications where malfunction can reasonably be expected to result in significant personal injury to the user. Any use of Circuit Design products in such safety-critical applications is understood to be fully at the risk of the customer and the customer must fully indemnify Circuit Design, Inc for any damages resulting from any improper use.
- As the radio module communicates using electronic radio waves, there are cases where transmission will be temporarily cut off due to the surrounding environment and method of usage. The manufacturer is exempt from all responsibility relating to resulting harm to personnel or equipment and other secondary damage.
- The manufacturer is exempt from all responsibility relating to secondary damage resulting from the operation, performance and reliability of equipment connected to the radio module.

Copyright

- All rights in this operation guide are owned by Circuit Design, Inc. No part of this document may be copied or distributed in part or in whole without the prior written consent of Circuit Design, Inc.

Cautions

- Do not use the equipment within the vicinity of devices that may malfunction as a result of electronic radio waves from the radio module.
- Communication performance will be affected by the surrounding environment, so communication tests should be carried out before actual use.
- Ensure that the power supply for the radio module is within the specified rating. Short circuits and reverse connections may result in overheating and damage and must be avoided at all costs.
- Ensure that the power supply has been switched off before attempting any wiring work.
- The case is connected to the GND terminal of the internal circuit, so do not make contact between the '+' side of the power supply terminal and the case.
- When batteries are used as the power source, avoid short circuits, recharging, dismantling, and pressure. Failure to observe this caution may result in the outbreak of fire, overheating and damage to the equipment. Remove the batteries when the equipment is not to be used for a long period of time. Failure to observe this caution may result in battery leaks and damage to the equipment.
- Do not use this equipment in vehicles with the windows closed, in locations where it is subject to direct sunlight, or in locations with extremely high humidity.
- The radio module is neither waterproof nor splash proof. Ensure that it is not splashed with soot or water. Do not use the equipment if water or other foreign matter has entered the case.
- Do not drop the radio module or otherwise subject it to strong shocks.
- Do not subject the equipment to condensation (including moving it from cold locations to locations with a significant increase in temperature.)
- Do not use the equipment in locations where it is likely to be affected by acid, alkalis, organic agents or corrosive gas.
- Do not bend or break the antenna. Metallic objects placed in the vicinity of the antenna will have a great effect on communication performance. As far as possible, ensure that the equipment is placed well away from metallic objects.
- The GND for the radio module will also affect communication performance. If possible, ensure that the case GND and the circuit GND are connected to a large GND pattern.

Warnings

- Do not take apart or modify the equipment.
- Do not remove the product label (the label attached to the upper surface of the module.) Using a module from which the label has been removed is prohibited.

Revision History

Version	Date	Description	Remark
0.91	Apr. 2013	Preliminary	
0.92	May 2013	Writing mistakes corrected (TXD/RXD)	
0.93	June 2013	Writing mistakes corrected (STBY)	
1.0	Oct. 2013	Regulatory information added	
1.1	Mar. 2014	Section 14 (Channel plan for using multiple STD-502-R in the same area) added	
1.2	Mar.2014	Correction of erroneous description (DOC)	
1.3	Sep. 2014	STD-502-R has obtained IC certification. '8. External dimensions' changed (IC ID added on the label) 'Regulatory Statement for IC' added	
1.4	Apr. 2015	Correction of erroneous description	
2.0	Apr. 2020	Regulatory compliance information updated (RED)	
2.1	Nov. 2020	Comments added on errata sheet (Section 11)	
2.2	Jan. 2022	Link address to the calculation tool for channel plan updated (Section 14)	

November 10, 2020

Errata sheet

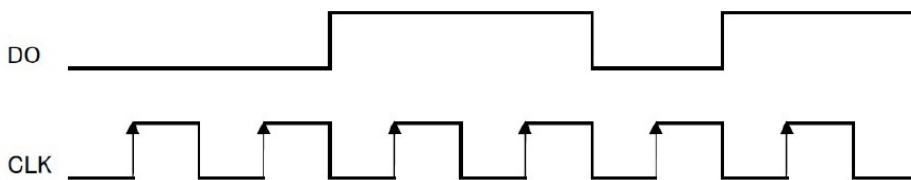
Model name: STD-502-R

This errata sheet describes the known problem with the clock signal while the STD-502-R is receiving.

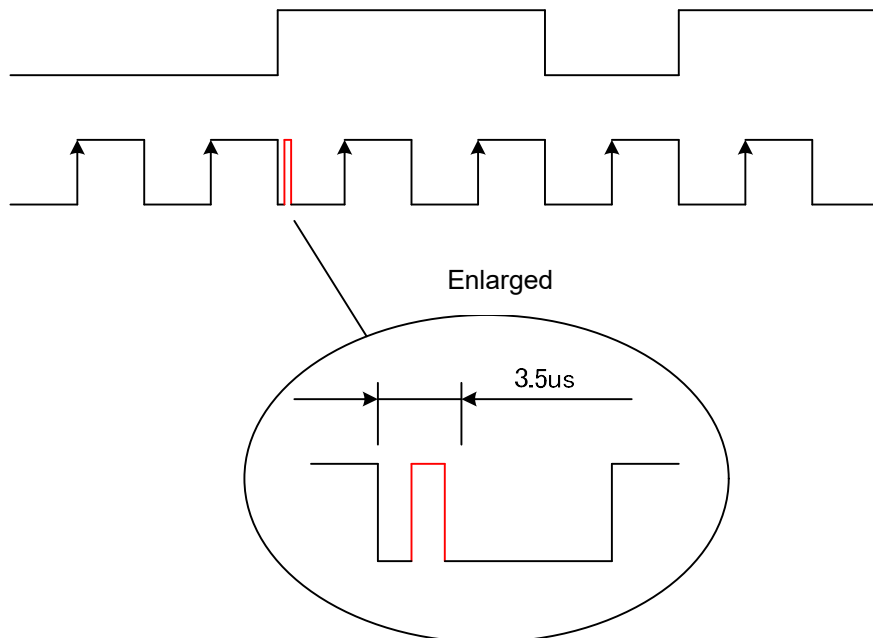
As to the timing between RX data and clock with the STD-502-R, Section 11 of the operation guide instructs, as shown below, that the RX data (DO) needs to be read in synchronization with the rising edge of the clock signal (CLK).

Timing between RX data and clock

Read the RX data (DO) in synchronization with the rising edge of the clock signal (CLK).



In the clock signal, it has been confirmed that a short pulse may occur within 3.5 us after the falling edge of the CLK as shown below, depending on reception conditions.



Reading the RX data at the rising edge of this short pulse will cause a problem where wrong data is read.

We request that you incorporate processing in your system to avoid false-positives due to this short pulse.

This short pulse does not occur when transmission data is set.

Inquiries

Circuit Design, Inc. / Sales Division
e-mail: ask@circuitdesign.jp
Tel: 0263-82-1024 Fax: 0263-82-1016
www.circuitdesign.jp

Revision history

Date	Description
Nov. 10, 2020	First issue