

## Part Change Notice

Date: Nov 05, 2018

PCN. No: 1814015

### Products:

STD-302Z 434 MHz

### Description of change

- Component addition.
  - Addition of VR component to adjust RSSI output level. See diagram.
  - Addition of VR component to adjust 21.25 MHz PLL reference frequency. See diagram.
  - Capacitor and resistor size change (1005 to 0603)
- ※ No change in product specification

### Reason of change:

- Reduction in the variance of the RSSI specification (RSSI value at -113 dBm) to improve production yield.
- Increased accuracy of the PLL frequency setting to improve production yield.
- Difficulty in obtaining size 1005 components due to shift in production to smaller size components by part suppliers. (Will not apply to all resistors and capacitors).

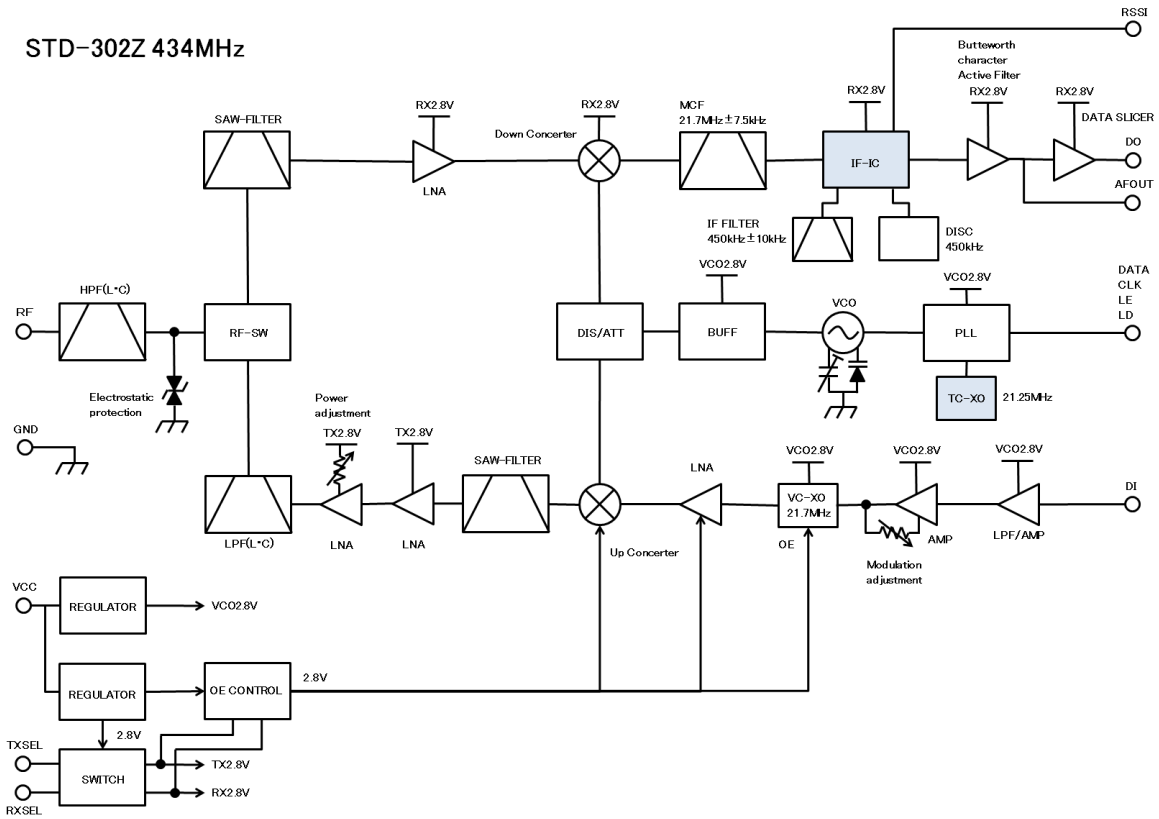
### Change schedule:

- Change to be introduced into production from approx. March 2019.

The changes shall be implemented into modules whose serial number begins at 1000001
- Shipment schedule to be dealt on a case by case basis.

**NOTE: If we do not hear from you within 30 days, we will assume your full acceptance to this change and its implementation.**

## STD-302Z 434MHz



- Adjustment of RSSI output characteristics



- Adjustment of 21.25 MHz PLL reference frequency

