

Part Change Notice

Date: Oct. 11, 2019

PCN. No: 1914020

Products:

STD-302Z 458 MHz

Description of change

- Component addition.
 - Addition of VR component to adjust RSSI output level. See diagram.
 - Addition of VR component to adjust 21.25 MHz PLL reference frequency. See diagram.
 - Capacitor and resistor size change (1005 to 0603)
- ※ No change in product specification

Reason of change:

- Reduction in the variance of the RSSI specification (RSSI value at -113 dBm) to improve production yield.
- Increased accuracy of the PLL frequency setting to improve production yield.
- Difficulty in obtaining size 1005 components due to shift in production to smaller size components by part suppliers. (Will not apply to all resistors and capacitors).

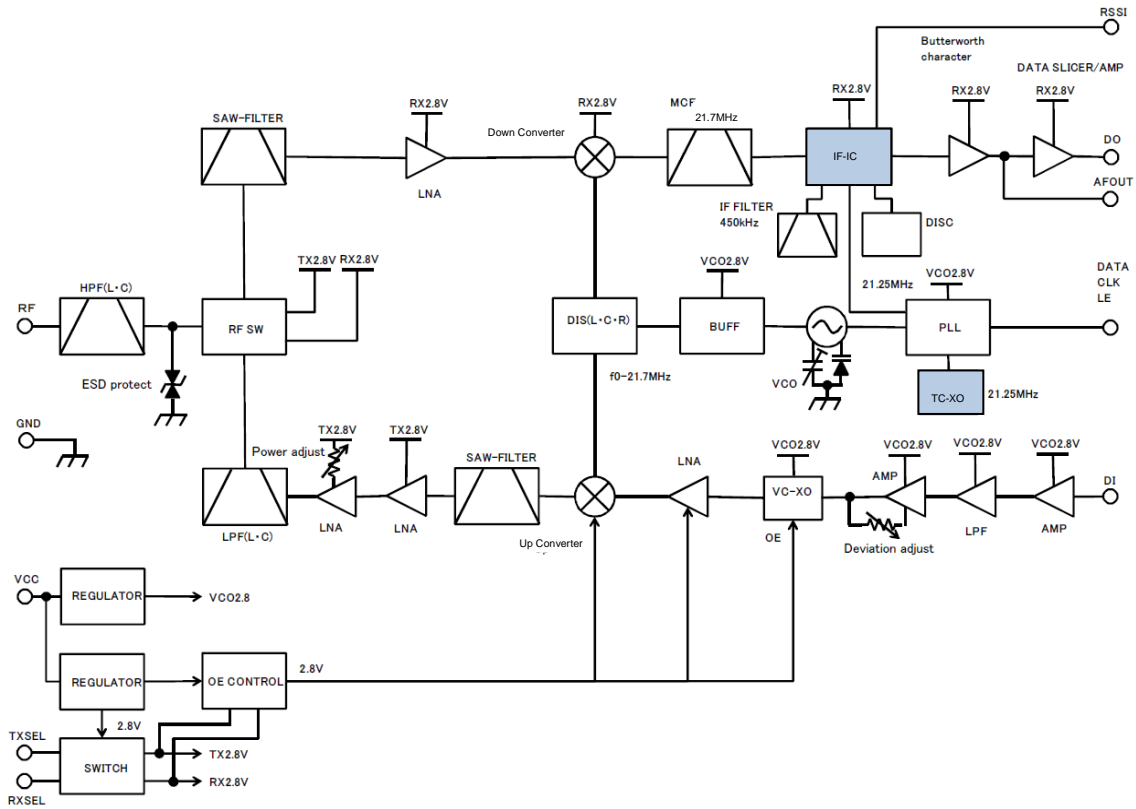
Change schedule:

- Change to be introduced into production from approx. Apr. 2020.

The changes shall be implemented into modules whose serial number begins at 01000001
- Shipment schedule to be dealt on a case by case basis.

NOTE: If we do not hear from you within 30 days, we will assume your full acceptance to this change and its implementation.

STD-302Z 458 MHz



- Adjustment of RSSI output characteristics



- Adjustment of 21.25 MHz PLL reference frequency

