

Part Change Notice

Date: August 23, 2023

PCN. No: 2331002

Products:

CDT-TX-02M-R 434 MHz

Description of change

- Obsolete component change
 - Regulator. The block diagram on page 2 shows the location where the regulator is used.
- In order to identify the module with above changes, the product name will be changed.
 - Product name: CDT-TX-02M-R 434 MHz → CDT-TX-02M 434 MHz
- Label.
 - The product label has changed to indicate the new product name and the UKCA mark. Refer to drawings on page 2.
- ※ No change in product specification

Reason of change:

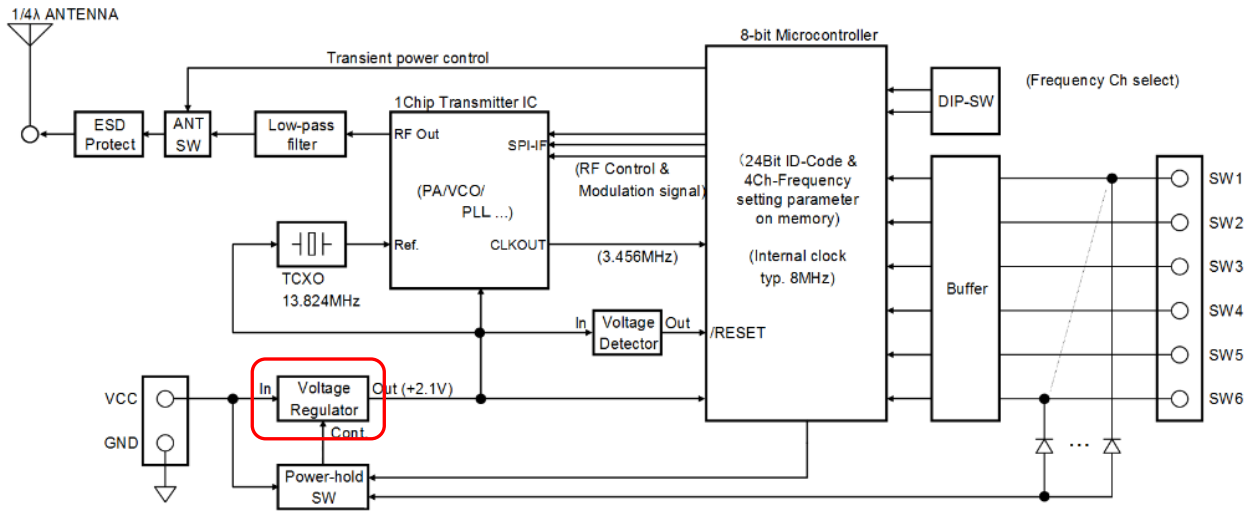
- The discontinuation notice (PDN1907002) for the CDT-TX-02M-R is now void. To reflect minor change only, the component supplier has announced the discontinuation of the obsolete regulator in the CDT-TX-02M-R. In order to continue stable product supply, the regulator will be changed to another supplier.
- The UKCA marking is a new UK product marking to be used for goods placed on the market in Great Britain. To indicate the product meets the essential requirements for the above, the UKCA marking will be added to the label.

Change schedule:

- Change to be introduced into production from approx. February 2024.
- The changes shall be implemented into modules whose serial number starts with 'B'.
- Shipment schedule to be dealt on a case by case basis.

NOTE: If we do not hear from you within 30 days, we will assume your full acceptance to this change and its implementation.

CDT-TX-02M 434 MHz revised block diagram



CDT-TX-02M-R 434 MHz label



CDT-TX-02M 434 MHz label

