


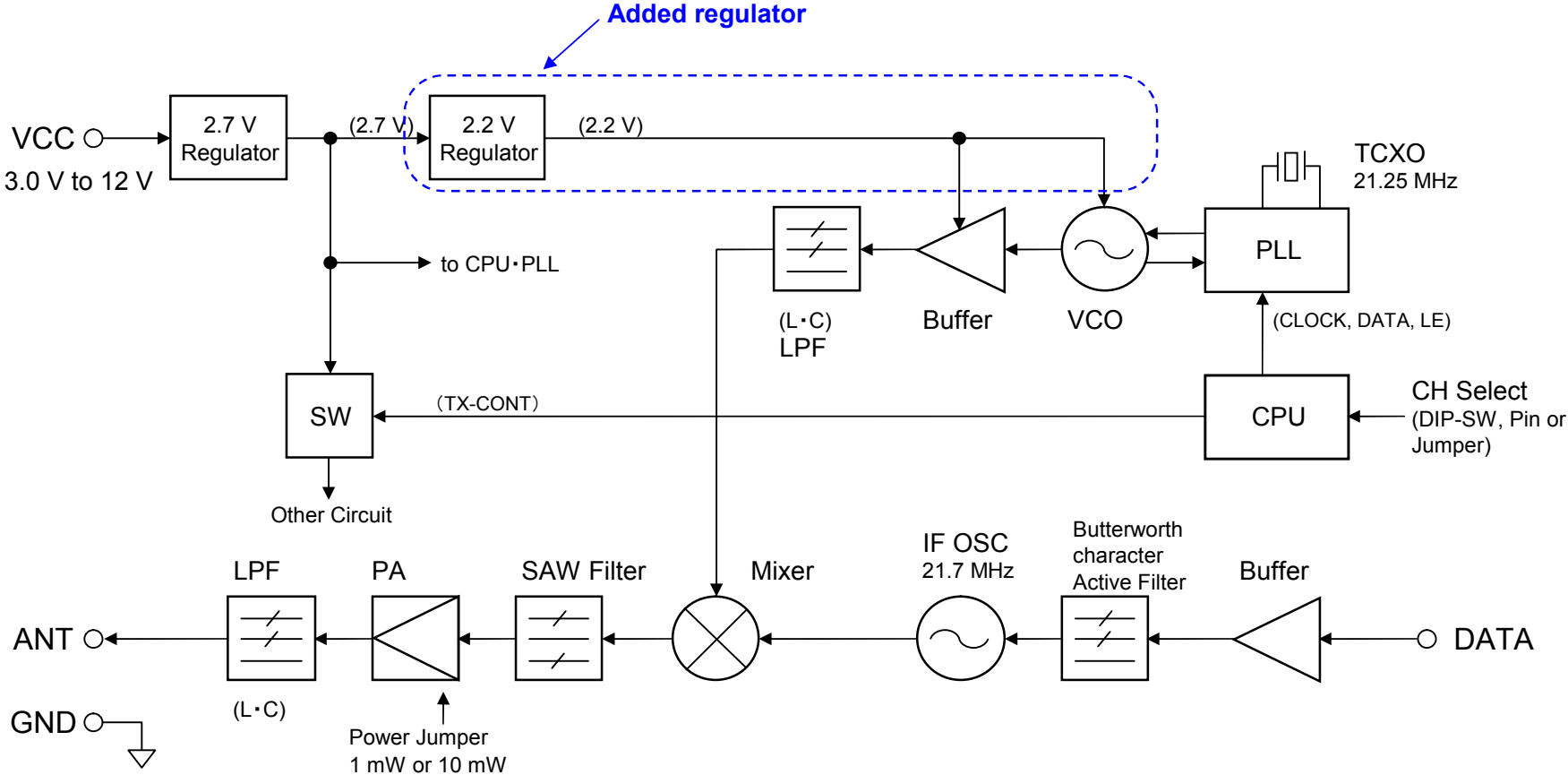


<b><u>PART CHANGE NOTICE</u></b>		Document No. 195003																		
		Date 23 Oct. 2013																		
		CIRCUIT DESIGN, INC.																		
Title of change	Regulator for the internal VCO added	Approved by	Checked by	Prepared by																
Model name																				
Model No.																				
Model name	CDP-TX-02E-R, EP-R, F-R, FP-R 434MHz																			
Model No.	U044B01, 03																			
Submit to																				
<p><u>Description of change</u></p> <p>A regulator for the internal VCO was added (See attached block diagram).            There is no change to the specification of the product.            This change is implemented in the 434 MHz version only.</p> <p><u>Reason (Need for change)</u></p> <p>In order to increase a margin of the power-off transient characteristics against the EN standard limit.</p> <p><u>Cost impact</u></p> <p>NIL</p> <p><u>Schedule impact</u></p> <p>NIL</p> <p><u>Change schedule</u></p> <p>The change is implemented to the production from 2014. The first characters of the serial number are changed as follows:</p> <table style="width: 100%; border: none;"> <tr> <td style="width: 30%;">CDP-TX-02E-R 434 MHz</td> <td style="width: 15%;">IZ*****</td> <td style="width: 10%;">--&gt;</td> <td style="width: 15%;">JZ*****</td> </tr> <tr> <td>CDP-TX-02EP-R 434 MHz</td> <td>IQ*****</td> <td>--&gt;</td> <td>JQ*****</td> </tr> <tr> <td>CDP-TX-02F-R 434 MHz</td> <td>HN*****</td> <td>--&gt;</td> <td>JN*****</td> </tr> <tr> <td>CDP-TX-02FP-R 434 MHz</td> <td>IM*****</td> <td>--&gt;</td> <td>JM*****</td> </tr> </table> <p>NOTE: If we do not hear from you within 30 days, we will assume your full acceptance to this proposed change and its implementation.</p> <p style="text-align: right;">CIRCUIT DESIGN, INC.            Engineering Div.            7557-1 Hotaka, Azumino-city, Nagano 399-8303  <a href="http://www.circuitdesign.jp">www.circuitdesign.jp</a></p>					CDP-TX-02E-R 434 MHz	IZ*****	-->	JZ*****	CDP-TX-02EP-R 434 MHz	IQ*****	-->	JQ*****	CDP-TX-02F-R 434 MHz	HN*****	-->	JN*****	CDP-TX-02FP-R 434 MHz	IM*****	-->	JM*****
CDP-TX-02E-R 434 MHz	IZ*****	-->	JZ*****																	
CDP-TX-02EP-R 434 MHz	IQ*****	-->	JQ*****																	
CDP-TX-02F-R 434 MHz	HN*****	-->	JN*****																	
CDP-TX-02FP-R 434 MHz	IM*****	-->	JM*****																	



The VCO and the buffer operate at 2.2 V and other internal circuit operates at 2.7V.