

Product Discontinuation Notice

Date: Apr 25, 2019

PDN. No: 1904001

Circuit Design will discontinue the following product

Product:

CDP-RX-05M-R 434 MHz

Reason:

CDP-RX-05M-R 434 MHz contains several obsolete components. Circuit Design decided to re-design the receiver, which is equivalent to the CDP-RX-05M-R 434 MHz.

The re-designed model will have new model name CDP-RX-07M

Replacement product:

CDP-RX-07M 434 MHz

- This model is equivalent to the CDP-RX-05M-R 434 MHz. See attached.

Schedule:

- The final production has been done.
CDP-RX-05M-R 434MHz units are available from stock. Circuit Design would be able to accept the order* for the CDP-RX-05M-R 434MHz until the middle of 2019.
* Due to stock situation, Circuit Design may not be able to accept all quantities ordered.
- CDP-RX-07M 434 MHz
Engineering samples are available now.
The production starts in May 2019. The delivery starts in June 2019.

Stock Status

Contact Circuit Design

Remark

CDP-RX-05M-R 915 MHz and CDP-RX-05M-R 868 MHz A and B production is ongoing.

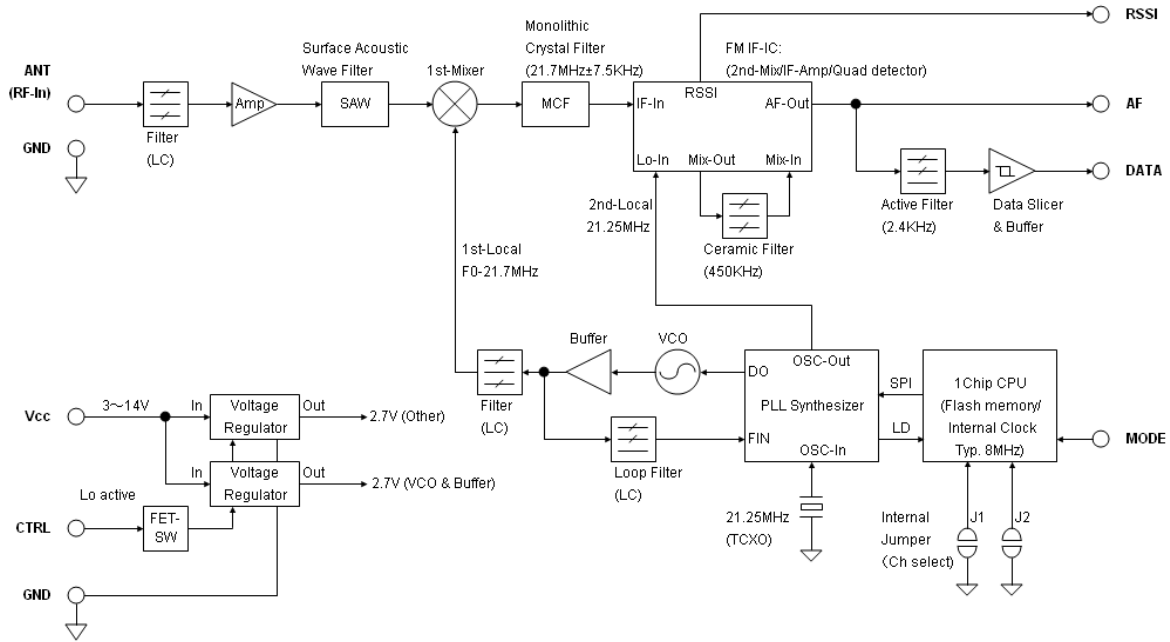
Attachment: Comparison between CDP-RX-05M-R 434 MHz and CDP-RX-07M 434 MHz

Comparison between CDP-RX-05M-R 434 MHz and CDP-RX-07M 434 MHz

Item	Specification	
	CDP-RX-05M-R 434 MHz	CDP-RX-07M 434 MHz
Applicable standard	EN 300 220	
Receiver Category	Category 1	
Communication form	One way	
Oscillation system	Crystal based PLL oscillation	
Number of channels	4	
Frequencies MHz	CH3*	434.075 *
	CH2	433.920
	CH1	434.600
	CH0	434.700
* Factory default frequency channel setting.		
For frequency setting, the internal Jumper 1 and 2 are used. (For details, refer to PIN DESCRIPTION)		
Frequency stability	< +/- 2.5 ppm (-10 to + 60 °C, reference frequency = 25 °C)	
Aging rate	< +/- 1 ppm / Year	
Initial frequency tolerance at delivery	< +/- 1.5 ppm (within 1 year after the final adjustment)	
Pulse width	208 us - 20 ms	
Data rate (FSK)	100 - 4,800 bps	
Operating temperature range	-20 to + 60 °C	
Demodulation	FM Narrow	
Sensitivity (12dB/SINAD at CCITT filter)	-120 dBm	
Sensitivity (BER <0.1 %)	-115 dBm	
Selectivity	+/-5 kHz at -6 dB point	
Adjacent CH selectivity	45 dB	
Spurious radiations	< -60 dBm	
Distortion (AF output)	< 5 % at 1 kHz	
S/N ratio (AF output)	45 dB	
AF Output level (Fm=1KHz)	-10.5 dBm (Fmod=+/- 3 KHz)	
Data output	Digital output, pulled up to Vcc (22 k ohm)	
Other outputs	RSSI, AF	
Supply Voltage	3.0 to 14 V DC	
Supply current (Typ. at 3.0V)	28mA	23mA typ
I/O terminals	Ant, Gnd, Vcc, Dataout, AFout, RSSIout, Power Control	
Dimensions	36 X 26 X 8 mm 7.5cc	
Weight	13 g	

Pin-No.	Pin-Name	I/O	CDP-RX-05M-R Equivalent circuit	CDP-RX-07M Equivalent circuit
CN1-1	DATA	O		same
CN1-2	AF	O		same
CN1-3	RSSI	O		
CN1-4	CTRL	I		same
CN1-5	VCC	-		
CN1-6	GND	-		
CN2-1	ANT			
CN2-2	GND	-		
	JP1	I		
	JP2			

CDP-RX-05M-R Block Diagram



CDP-RX-07M Block Diagram

